



THE FIREGUARDS REGULATIONS 1958, AMENDMENT NO. 1

ARTHUR PORRITT, Governor-General
ORDER IN COUNCIL

At the Government House at Wellington this 24th day of November
1969

Present:

HIS EXCELLENCY THE GOVERNOR-GENERAL IN COUNCIL

PURSUANT to the Health Act 1956, His Excellency the Governor-General, acting by and with the advice and consent of the Executive Council, hereby makes the following regulations.

REGULATIONS

1. Title and commencement—(1) These regulations may be cited as the Fireguards Regulations 1958, Amendment No. 1, and shall be read together with and deemed part of the Fireguards Regulations 1958* (hereinafter referred to as the principal regulations).

(2) These regulations shall come into force on the 1st day of January 1971.

2. Test finger—(1) Regulation 7 of the principal regulations is hereby amended by revoking paragraph (a), and substituting the following paragraph:

“(a) That when a test finger constructed according to the details and dimensions set out in the Second Schedule hereto, and having joints as shown in that Schedule capable of being fixed in various positions, is used on the heater to which the guard is fitted, the test finger cannot without undue force be inserted through or round the guard, or through any other aperture in the heater, so that its tip can touch any heating element or any termination thereof.”

(2) The principal regulations are hereby further amended by revoking the Second Schedule, and substituting the Second Schedule set out in the Schedule to these regulations.

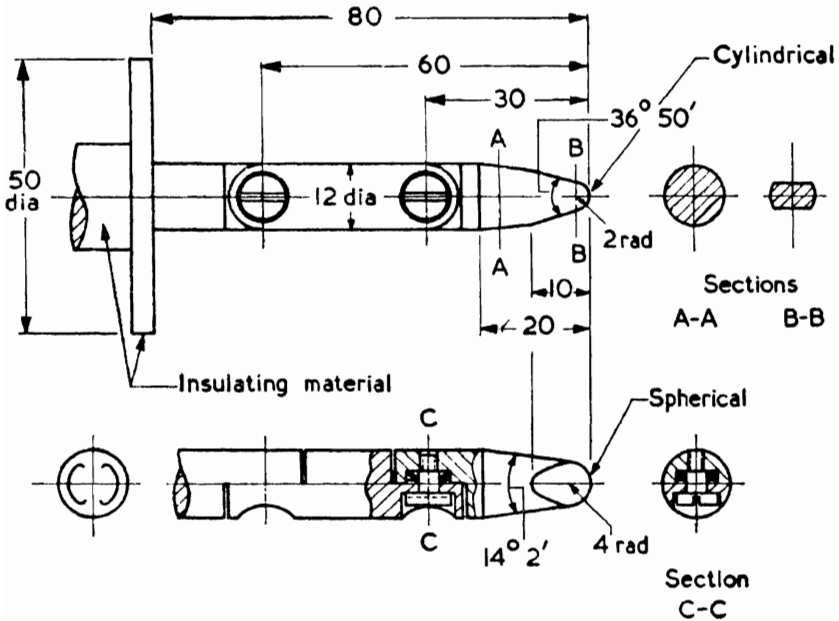
SCHEDULE

NEW SECOND SCHEDULE TO THE PRINCIPAL REGULATIONS

“SECOND SCHEDULE

Reg. 7 (a)

TEST FINGER FOR GUARDS FOR ELECTRIC FIRES



Dimensions in millimetres

Tolerances on angular dimensions: $\pm 5'$
 Tolerances on linear dimensions: Less than 25 mm $+ 0.0$
 $- 0.05$
 Over 25 mm ± 0.2

P. J. BROOKS,
 Clerk of the Executive Council.

EXPLANATORY NOTE

This note is not part of the regulations, but is intended to indicate their general effect.

These regulations amend the Fireguards Regulations 1958 by requiring a more stringent test of strength and effectiveness to ensure that guards of electric heaters conform to the safety requirements of the regulations. The test is to be carried out by a test finger instead of a test probe, and the specifications for this instrument are set out in a new Second Schedule to the principal regulations.

Issued under the authority of the Regulations Act 1936.

Date of notification in *Gazette*: 27 November 1969.

These regulations are administered in the Department of Health.